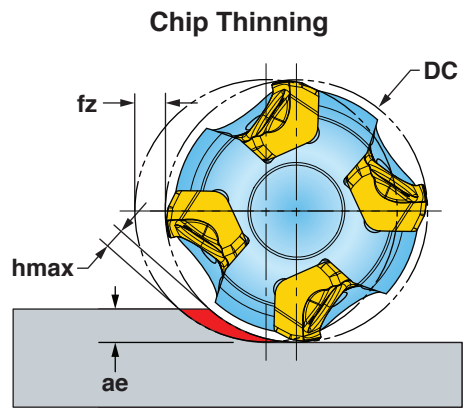
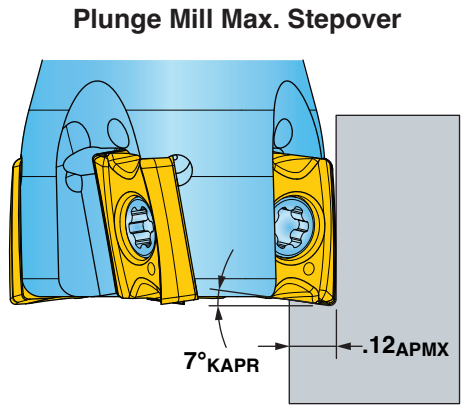




HIPOSSPEED[™] 05 OPERATING GUIDELINES: 90° SHOULDER & PLUNGE (FNKT, FNHT)



* When ae is less than 25% DC, recommend use of Chip Thinning Calculator to ensure hmax is in fz range.



ISO	Materials			Vc Cutting Speed SFM	fz* Feed/Tooth (inch)	Harder Tougher				Coolant
	Mat'l Group #VDI 3323	Type	Examples			IN05S	IN200S	IN250S	IN2530	
P	1 thru 5	Non-alloy Steel	1018, A36, 1045, A572, 1070	400-1000						
	6 thru 9	Low-alloy Steel	4140, 4340, P20, 8620, 300M	350-700	.0015-.0040	-	3	2	1	No
	10, 11	High-alloy Steel	H13, A2, D2, M2, T1	300-600						
M	12 thru 13	Stainless Steel (Ferritic & Martensitic)	410, 416, 440	350-600	.0015-.0040	-	1	2	3	Yes
	14	Stainless Steel (Austenitic)	303, 304, 316, 15-5, 17-4	300-550						May not be required at high speeds
K	15 thru 16	Gray Cast Iron	CLS. 20, 30, 45	500-1000	.0015-.0040	-	1	2		No
	17 thru 20	Nodular Cast Iron	60-40-18, 100-70-03	400-800						
N	21 thru 30	Aluminum	7075, 6061	1000-3000	.0010-.0050	1	-	-	-	Yes
S	31 thru 35	High-Temp Alloys	Inconel, Hastelloy, Nimonic, Monel	65-150	.0015-.0040	-	1	2	3	Yes
	36 thru 37	Titanium Alloys	6Al-4V, 5Al-5Mo-5V-3Cr	85-200		-	2	3	1	
H	38 thru 39	Hardened Steel >48	A2, O1, D2	130-250	.0015-.0030	-	1	2		No

Note: Feed and speed recommendations are starting operating parameters. They are only guidelines from which further optimization should take place. Operating parameters are influenced by many machining variables. These variables may cause for reductions in feeds and speed or dramatic increases. Additionally, DOC and WOC may need to be revised to optimize the tools performance.