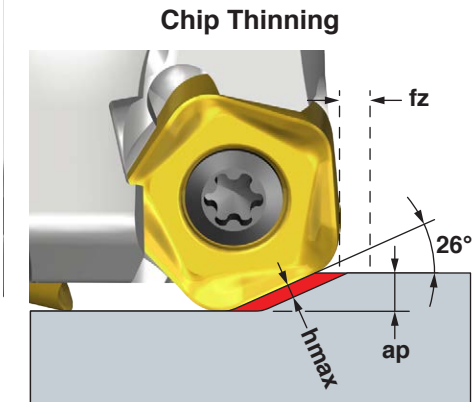




DIOSPENTA™ 05 OPERATING GUIDELINES (HI-FEED)



* Chip Thinning Calculator is recommended to ensure hmax is within range.

ISO	Materials			Vc Cutting Speed SFM	fz* Feed/Tooth (inch)	ap Rec. Axial Depth of Cut (inch)	hmax* Chip Thickness (inch)	Harder Tougher		Coolant
	Mat'l Group #VDI 3323	Type	Examples					IN2505	IN2530	
P	1 thru 5	Non-alloy Steel	1018, A36, 1045, A572, 1070	400-1000						
	6 thru 9	Low-alloy Steel	4140, 4340, P20, 8620, 300M	350-700	.008-.030	.008-.060	.003-.013	2	1	No
	10, 11	High-alloy Steel	H13, A2, D2, M2, T1	300-600						
K	15 thru 16	Gray Cast Iron	CLS. 20, 30, 45	500-1000						
	17 thru 20	Nodular Cast Iron	60-40-18, 100-70-03	400-800	.008-.030	.008-.060	.003-.013	1	2	No

Note: Feed and speed recommendations are starting operating parameters. They are only guidelines from which further optimization should take place. Operating parameters are influenced by many machining variables. These variables may cause for reductions in feeds and speed or dramatic increases. Additionally, DOC and WOC may need to be revised to optimize the tools performance.