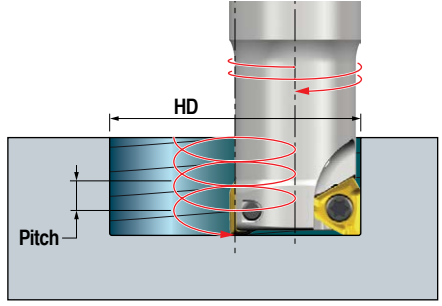
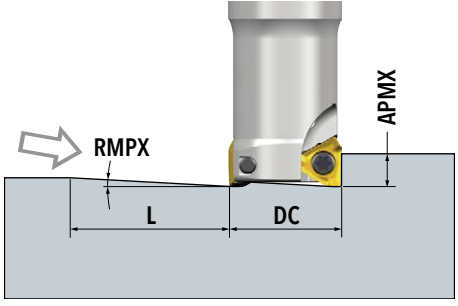


**HIPOSTRIO™ 10 RAMP DATA USING SERIES TH\_S10**



| DC<br>Cutter<br>Diameter | Straight Ramp           |                           |                       | Helical Ramp             |                          |               |
|--------------------------|-------------------------|---------------------------|-----------------------|--------------------------|--------------------------|---------------|
|                          | RMPX<br>Ramp Angle Max. | APMX<br>Depth of Cut Max. | L<br>Ramp Length Min. | HD<br>Hole Diameter Min. | HD<br>Hole Diameter Max. | Pitch<br>Max. |
| 1.250                    | 2.7                     | 0.41                      | 8.6                   | 2.04                     |                          | 0.120         |
|                          |                         |                           |                       |                          | 2.50                     | 0.180         |
| 1.500                    | 1.7                     | 0.41                      | 13.8                  | 2.57                     |                          | 0.100         |
|                          |                         |                           |                       |                          | 3.00                     | 0.130         |
| 2.000                    | 1.2                     | 0.41                      | 19.5                  | 3.58                     |                          | 0.100         |
|                          |                         |                           |                       |                          | 4.00                     | 0.120         |
| 2.500                    | 1.0                     | 0.41                      | 23.4                  | 4.57                     |                          | 0.110         |
|                          |                         |                           |                       |                          | 5.00                     | 0.120         |
| 3.000                    | 0.7                     | 0.41                      | 33.5                  | 5.57                     |                          | 0.110         |
|                          |                         |                           |                       |                          | 6.00                     | 0.120         |
| 4.000                    | 0.6                     | 0.41                      | 39.1                  | 7.57                     |                          | 0.110         |
|                          |                         |                           |                       |                          | 8.00                     | 0.120         |
| 5.000                    | 0.4                     | 0.41                      | 58.7                  | 9.57                     |                          | 0.110         |
|                          |                         |                           |                       |                          | 10.00                    | 0.110         |