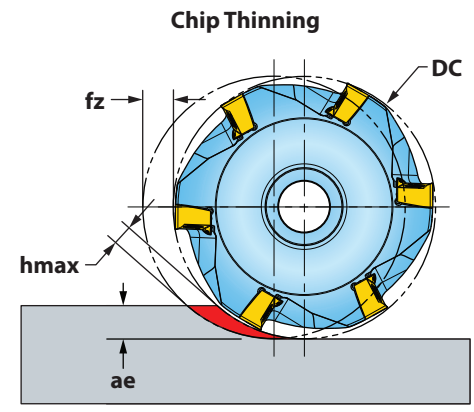




**HI-POS™ 90° OPERATING GUIDELINES**



\* Chip Thinning Calculator is recommended to ensure hmax is within fz range.

ISO	Materials			Vc Cutting Speed SFM	fz* Feed/Tooth (inch)	Harder <-----> Tougher						Coolant
	Mat'l Group #VDI 3323	Type	Examples			IN90D	IN2504	IN10K	IN2505 IN2005	IN2530 IN1030	IN2035	
P	1 - 5	Non-alloy Steel	1018, A36, 1045, A572, 1070	400-1000								
	6 - 9	Low-alloy Steel	4140, 4340, P20, 8620, 300M	350-700	.002-.006		3		1	2		No
	10 - 11	High-alloy Steel	H13, A2, D2, M2, T1	300-600								
M	12 - 13	Stainless Steel (Ferritic & Martensitic)	410, 416, 440	350-600	.002-.005				2	3	1	Yes
	14	Stainless Steel (Austenitic)	303, 304, 316, 15-5, 17-4	300-550								May not be required at high speeds
K	15 - 16	Gray Cast Iron	CLS. 20, 30, 45	500-1000	.002-.006		1		2			No
	17 - 20	Nodular Cast Iron	60-40-18, 100-70-03	400-800								
N	21 - 30	Aluminum	7075, 6061	1000-3000	.002-.007	1		1				Yes
S	31 - 35	High-Temp Alloys	Inconel, Hastelloy, Nimonic, Monel	65-150	.002-.005				2	3	1	Yes
	36 - 37	Titanium Alloys	6Al-4V, 5Al-5Mo-5V-3Cr	85-200					3	2	1	
H	38 - 39	Hardened Steel >48	A2, O1, D2	130-250	.002-.004		1		2			No

Note: Feed and speed recommendations are starting operating parameters. They are only guidelines from which further optimization should take place. Operating parameters are influenced by many machining variables. These variables may cause for reductions in feeds and speed or dramatic increases. Additionally, DOC and WOC may need to be revised to optimize the tools performance.